

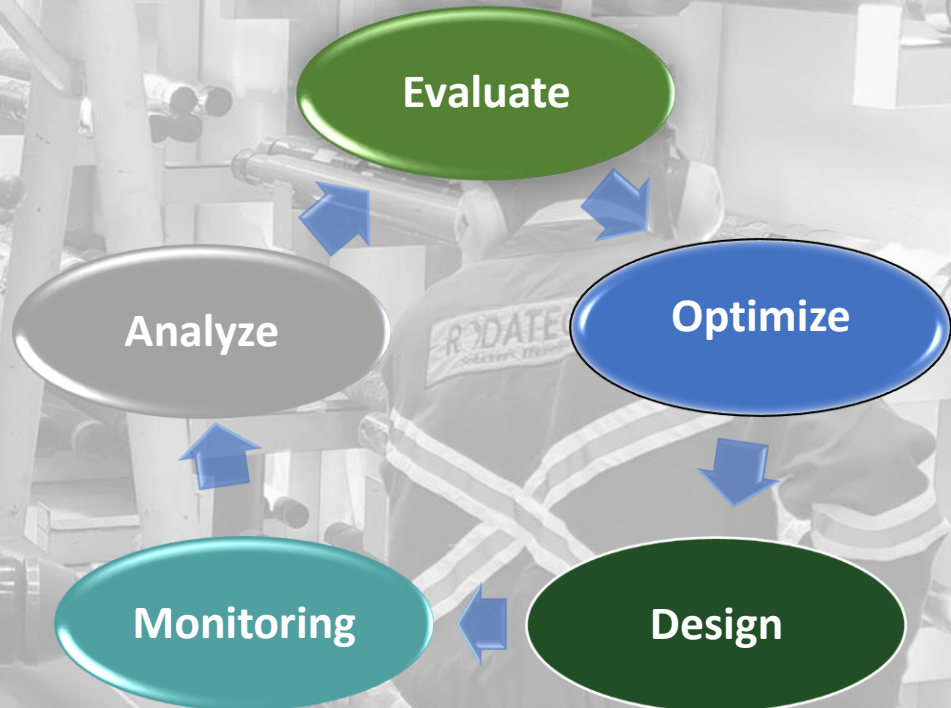


RODATECH
Soluciones Eficientes

Who we are

We are Enablers of Innovative Technologies and Differentiating Solutions

- ✓ We strive to turn our customers into allies looking for **OPEX reduction** and **Environmental Care**.
- ✓ We promote **WIN-WIN relationships** between our four pillars: The Customer, The Environment, The Technologies and Ourselves.
- ✓ We solve different needs by adding value through **top-of-the-line Technology**.
- ✓ We provide first class support and service with **24/7 support**.



Our QAQC:

For Rodatech it is of vital importance to fully comply with current regulations in the industry both in HSE and Quality. Among our main objectives we have:

- ✓ Comply with quality of Service to our customers and partners
- ✓ Characterize ourselves by our contribution in differentiating solutions
- ✓ Establish Business relationships focused on a WIN-WIN culture
- ✓ Constantly apply continuous improvement processes in our operations

We are Certified:



ISO 9001:2015
ISO 14001:2015
ISO 45001:2018

BUREAU VERITAS
Certification



Our Business Units

WELL SERVICES

A banner for Well Services featuring a main image of two workers in green safety gear and white hard hats working on a well site. Three circular inset images show: 1) A wellhead or completion assembly, 2) A close-up of a wellbore or tool joint, and 3) A wellbore with a liner hanger.

- Completions and Workover Tools
- Service Packers for Fracking, Stimulation, Isolation, etc.
- Well Abandonment
- Selective Water Injection Strings
- Data Acquisition and Drill Stem Testing Tools
- Liner Hangers

ARTIFICIAL LIFT OPTIMIZATION

A banner for Artificial Lift Optimization featuring a main image of a worker in a green safety jacket and white hard hat working on a well site. Three circular inset images show: 1) A wellhead or completion assembly, 2) A close-up of a wellbore or tool joint, and 3) A wellbore with a liner hanger.

- Design, Installation, Monitoring & Optimization of ALS
- Surface and Downhole Equipment for Rod Lift and PCP
- Rod and Tubing Accessories
- PMM Drive Heads for PCP and PMM motors for Rod Lift
- Permanent Magnets for Paraffin Treatment
- PMM Downhole Heater
- Systems for CHP decompression

Our Well Services Technical Sales Team



David Calle Rengifo
General Manager
Experience: +16 years



Heriberto Trujillo
Business Unit Manager
Well Services
Experience: +18 years



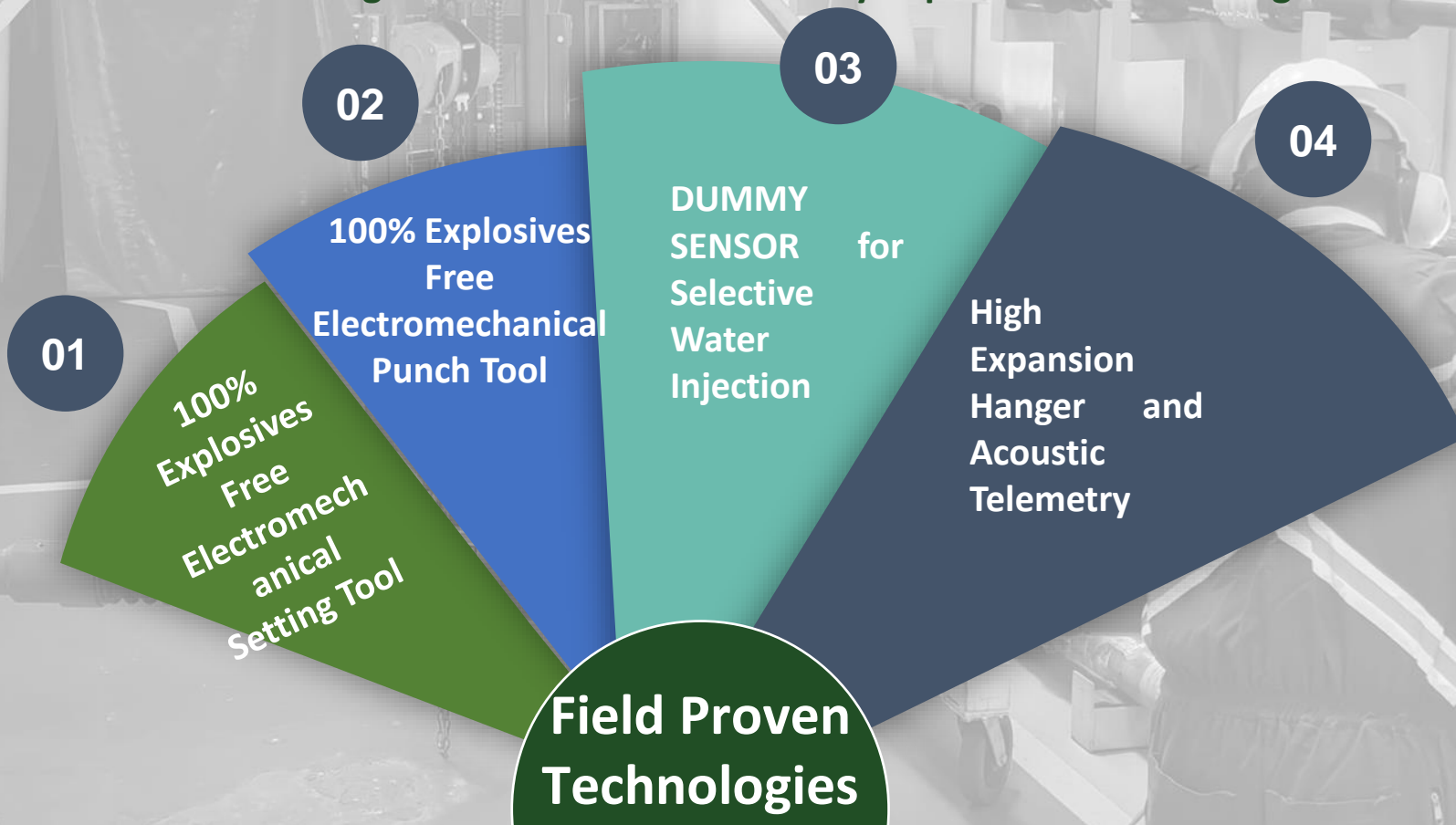
Marby Ramirez
Sr Technical Sales Engineer
Well Services
Experience: +18 years

The background of the slide is a photograph of an oil pumpjack (jack-o'-lantern) in silhouette against a sunset sky. The sun is a bright, glowing orb near the horizon, creating a lens flare effect. The sky is filled with soft, wispy clouds in shades of orange, yellow, and blue. The pumpjack's long, angled arm is the central focus of the image.

Our Solutions for: Artificial Lift Optimization

Our Disruptive Technologies

Rodatech is Recognized in Colombia as an Implementor of new Technologies that allow the Operational Optimization, OPEX reduction and the mitigation of the CO2 Emissions. Some of the technologies that we have successfully implemented in the Region are:



Conventional Downhole Equipment

Service Packers,
Drillstem Test Tools
and Data Acquisition

Conventional and
Expandable Liner
Hanger

Conventional
Completions &
Workover Tools
Available

Completions
Services and Tools
Full String

Well
Abandonment

Completions & Workover

SERVICE PACKERS



Champ
V 15K

TST-1

PR-3

RBP

WLRBP

ADL-1

- ✓ Packers for Hydraulic Stimulation & Fracking
- ✓ Selective Test Packers for Open and Cased Hole
- ✓ DST – TCP Packers
- ✓ RBP y WLRBP
- ✓ Tandem Strings
- ✓ Inflatable Test, Treat and Service Packers
- ✓ Specialized Technical Service and Support with highly qualified and experienced Engineers for planing and operations



Completions & Workover

SETTING TOOLS - BRIDGE PLUG - CEMENT RETAINER

Stocking of:

- Bridge Plugs
- Cement Retainers
- Composite BP & CR
- 4 ½" – 9 5/8"

Trazability & Accountability:

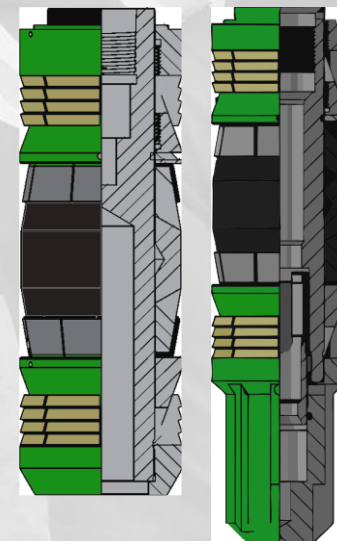
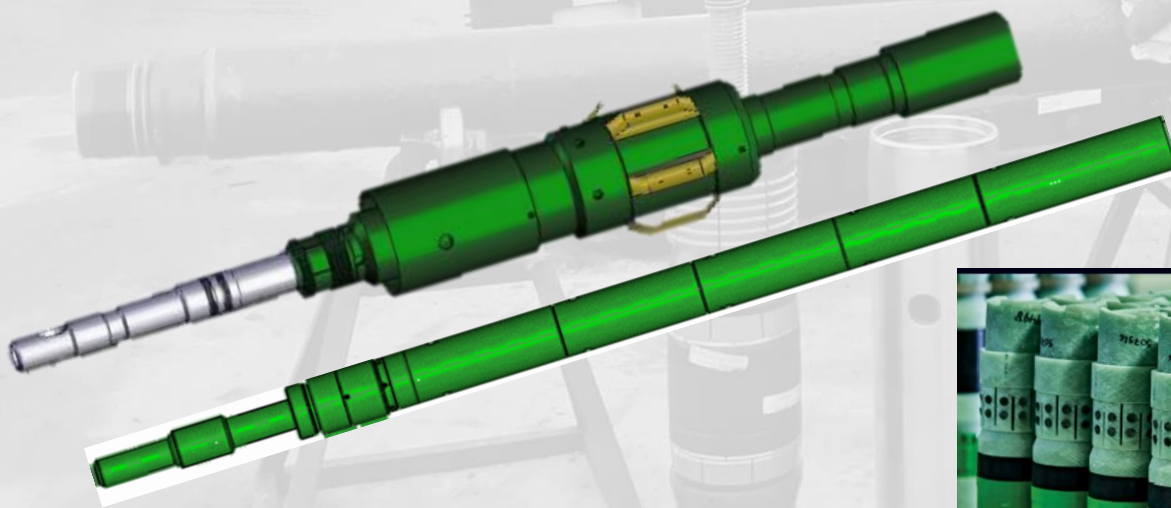
- QAQC
- COC
- MTR
- Dimensionals
- Visual Inspections

Applications:

- Mechanical Barriers
- Well Abandonments
- Zonal Isolations
- Remedial Cementing
- Multistage Fracking

Setting Tools:

- Mechanical
- Hydraulic
- 100% Explosives Free Electromechanical Setting Tool



Completions & Workover

COMPLETIONS EQUIPMENT



API
Certified &
Validated

- Q1
- 14L
- 5CT
- 11D1

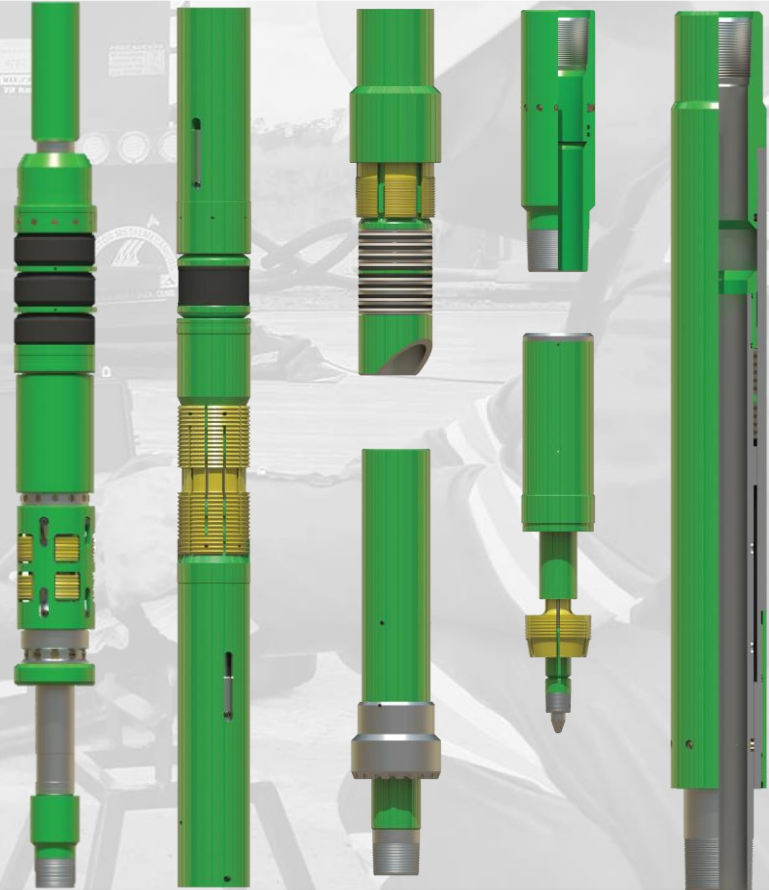


Trazability

- QAQC
- COC
- MTR
- Visual Inspection
- Dimensional

Technical
Support

- Work Program
- T&D and Tubing Movement Simulations
- Correct Tools Selection
- Pre- & Post Sale Operations



Packers:

Hydraulic - Mechanical
Type Seal Bore & Accessories
Inflatables & Swellables
ESP & Dual Packers

Completions Accessories:

Sliding Sleeves
Landing Nipples X, XN, F, R
On-Off Tools – Entry Guides
Safety Joints

Selective Water Injection:

Water Injection Mandrels
Dummy Valves and Memory
Recorder Dummy Valves
Water Flow Regulation Valves

Accessories:

TRSSV Valves
Tubing Anchor Catchers
Mule Shoes

Trazability and Operational Accountability

QUALITY CONTROL

- Strategic Partnership Network Worldwide with full knowledge of their processes and manufacturing plants
- We Generate WIN-WIN bonds with our Strategic Partners
- Constant Support, Communication and Accompaingment
- Higly Experiences Senior Experts available
- Quality Control, Trazability, QAQC Dossier for the acquired Equipment:

QAQC Dossier for each of the purchased tools:

- ✓ Certificas of Conformity & Origin
- ✓ MTRs
- ✓ Elastomer Certificates
- ✓ Rupture Pins Certificates
- ✓ Schematic Drawings of the Tools
- ✓ Operational and Maintenance Manuals
- ✓ NDE Inspection Certificates
- ✓ Test Certificates

Maintenance Support

EQUIPMENT REPAIR AND MAINTENANCE

We provide specialized technical Service for the repair, preventive and corrective maintenance of all downhole tools for completions & workover



Visual Inspection of the Tools



Unassembly & Cleaning



Certified Third Party Inspection



Repair, Redress, Integrity Tests, Assembly, Painting

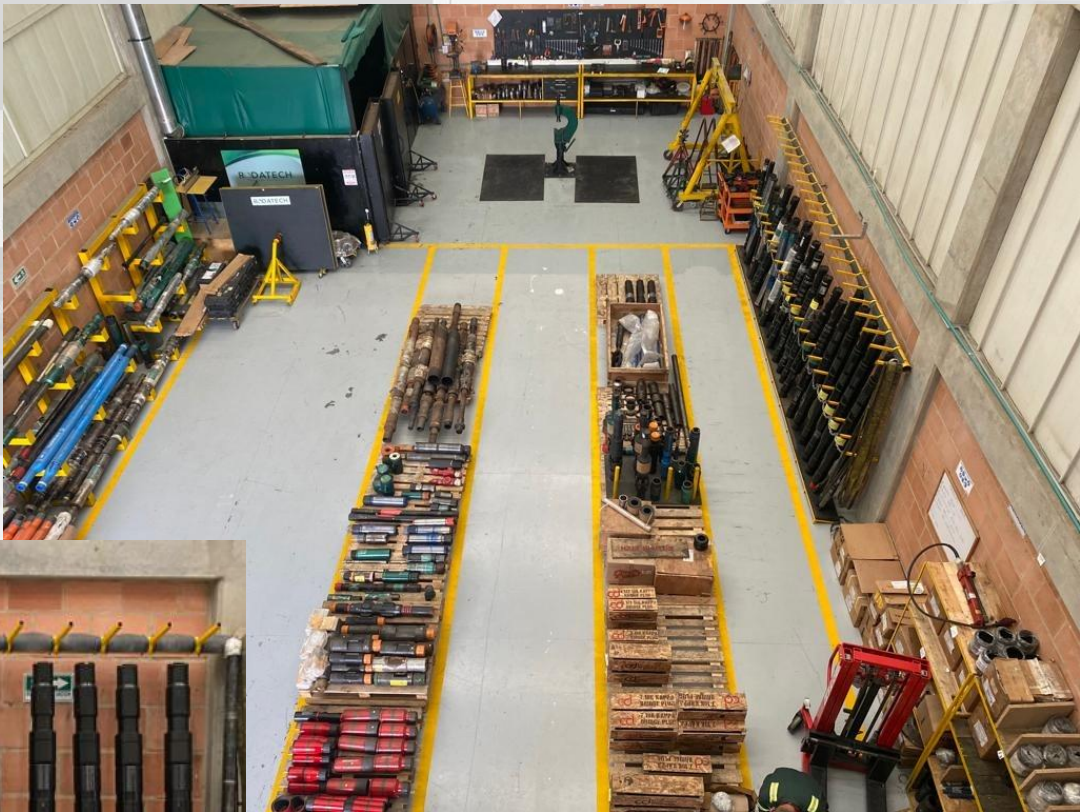


Quality Control and Inspection



Storage and Shipping

Stock – Rapid Answer



Workshop – Pressure Test Bunker



Experiencia del Personal

Work Program & Simulations

Well Information, Work Objectives, Good Practices, Work Planning

Customer Call, Equipment Inspection and Readyness

RODATECH
Soluciones Eficientes

SARTA DE HERRAMIENTAS

4.1. Wireline Retrievable Bridge Plug 7 in

Sl No.	Wellbore
1	CASING S
2	PACKER
3	CO
4	LENGTH
5	MATERIAL
6	SETTING
7	ELASTOM
8	MATERIAL
9	WORKING
10	SHEAR W
11	WORKING
12	TOP CON
13	BOTTOM
14	SERVICE
15	VALIDATI
16	QUALITY

PROGRAMA OPERACIONAL

CORRIDA DE WIRELINE RETRIEVABLE BRIDGE PLUG 7 IN

Cliente:
Preparado para:
Pozo:
Rig:
Preparado por:
Fecha:
Versión:

Advertencia:
Este documento está basado en prácticas conocidas de la industria, pero debido a las condiciones variables de la operación y otra información a cual desde entonces, RODATECH no ofrece ninguna garantía, expresa o implícita, en cuanto a la exactitud de los datos o de cualquier cálculo expresado en el presente documento. Por lo tanto, el contenido de este documento está sujeto a la revisión y comentarios del Cliente dentro de 2 días corridos a partir de la fecha en que sea entregado al Cliente. Si dentro de esos periodos RODATECH no recibió ninguna comentario formal al respecto sobre el contenido de este documento, se considerará aceptado por el Cliente tal y como está, y el Cliente deberá responder a cualquier y todos los derechos a reclamar por cualquier o por incumplimiento relacionado con el título.

Operational Planing

Customer Confirmation

The Work assigned team for the operation personally Works on the preparation & readiness of the equipment:

- ✓ Pre-Job
- ✓ Program and Equipment Check List including, but not limited to:
 - ✓ Dimensionals
 - ✓ Verification of Pines, Retrieving Tools, Adapter Kits, Threads and others
 - ✓ Confirmation of correct Set up of the Tools
 - ✓ Verification of the Correct Elastomers for the job, materials, etc.
 - ✓ Pressure Tests in case it applies
 - ✓ Backup
 - ✓ Readyness, Packing and Shipping



Some of our Customers:



RODATECH

You can count on US!!!

David Calle Rengifo

General Manager

M: +57 316 349 0491

dcalle@rodotech.co

Heriberto Trujillo

BUM Well Services

M: +57 318 477 5480

wellservices@rodotech.co

KM 2.5 De la Autopista Medellín - Vía Parcelas de Cota |

CIEM Oikos Occidente Centro Industrial Bodega No. A05

Cota, Colombia

+57.1.898.5446

www.rodotech.co